

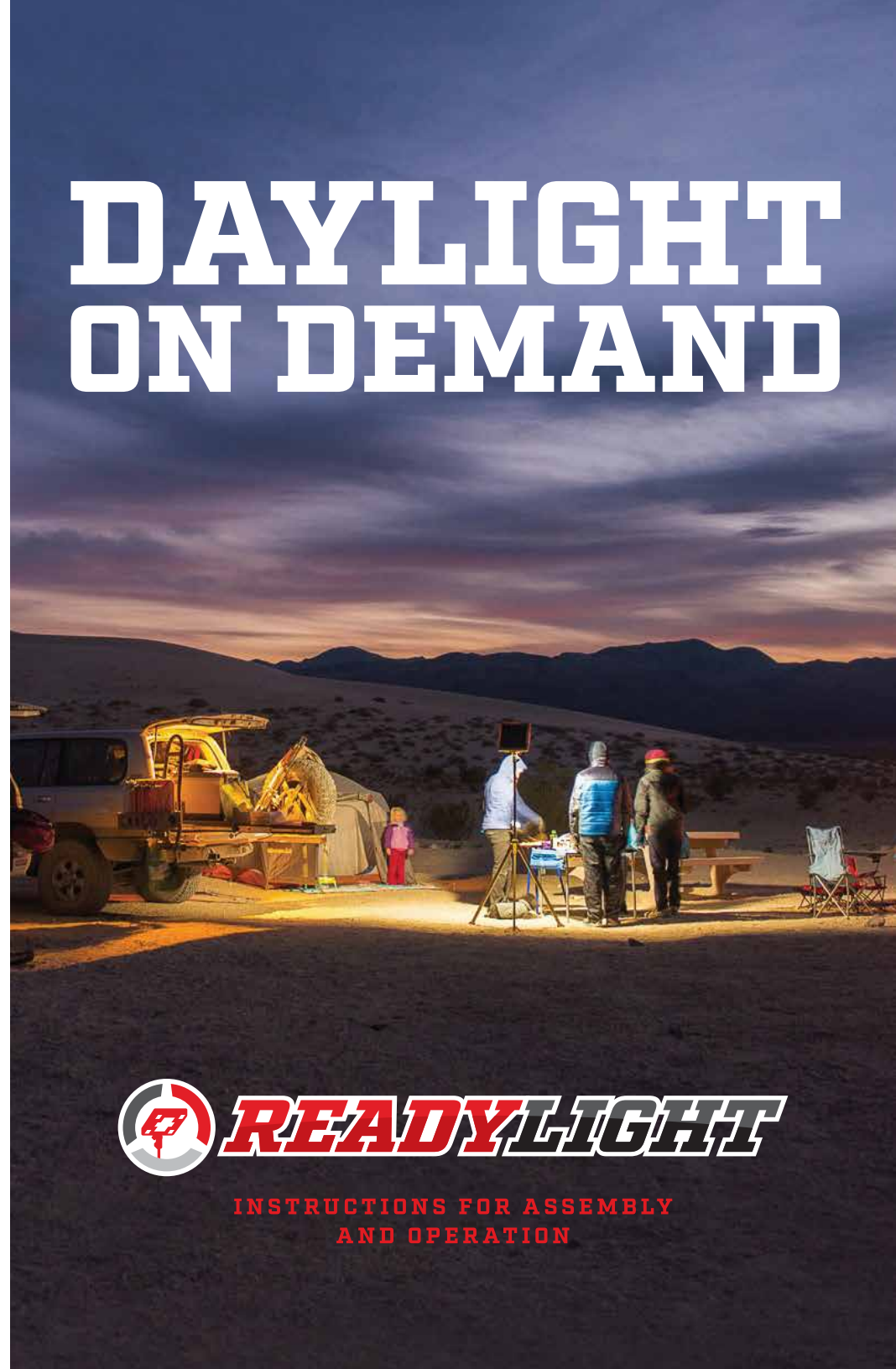
DAYLIGHT ON DEMAND



ReadyLight is sold through Freespirit Recreation.

When visiting beautiful Bend, Oregon, stop by and see the FSR showroom at 170 Scalehouse Loop.

541-797-6806 • www.gofsr.com



**INSTRUCTIONS FOR ASSEMBLY
AND OPERATION**

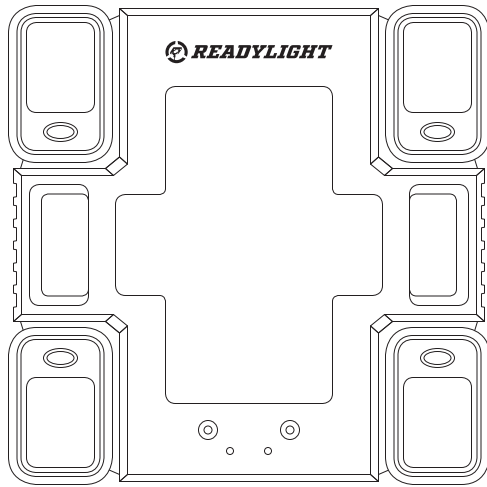
THANKS FOR PURCHASING A READYLIGHT!

...and congratulations. You're now part of the ReadyLight family, and own one of the best mobile lighting solutions available on the market today. ReadyLight's intuitive, all-in-one design, adventure-tested materials and intelligent engineering guarantee many years of fun memories and reliable performance.

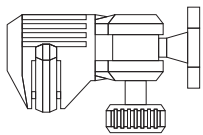
Ready? Let's light it up!



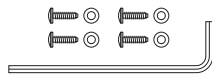
PACKAGE CONTENTS



READYLIGHT HEAD

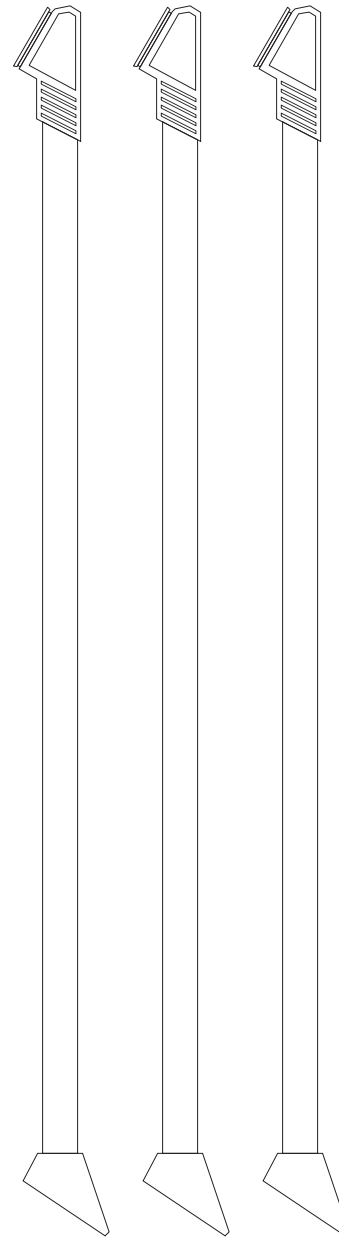


TRIPOD SWIVEL CLAMP



FASTENERS, LOCK WASHERS,
HEX-KEY WRENCH

2 FASTENERS REQUIRED;
2 EXTRAS ARE PROVIDED



TRIPOD LEGS

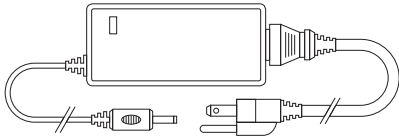


TRIPOD ROD

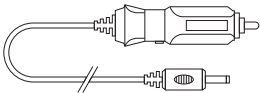


TRIPOD ROD
LOCK NUT

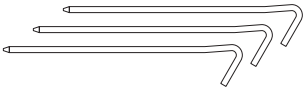
PACKAGE CONTENTS



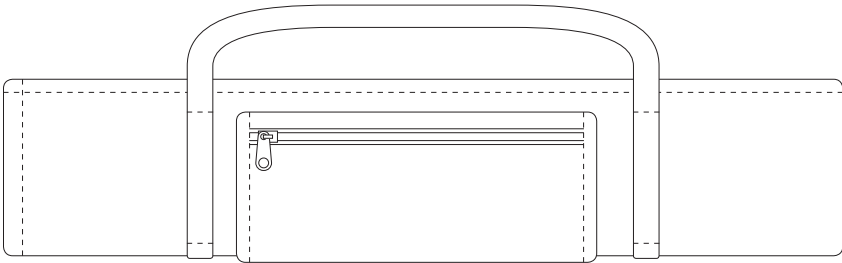
AC POWER ADAPTER



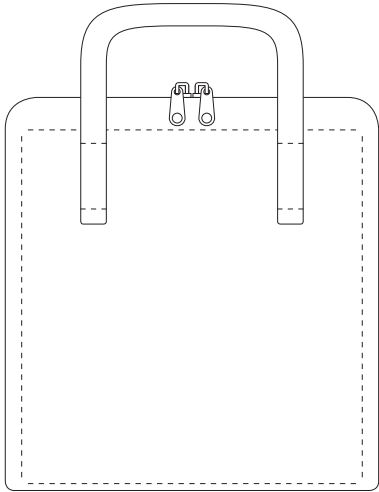
DC POWER ADAPTER / CAR CHARGER



GROUND STAKES



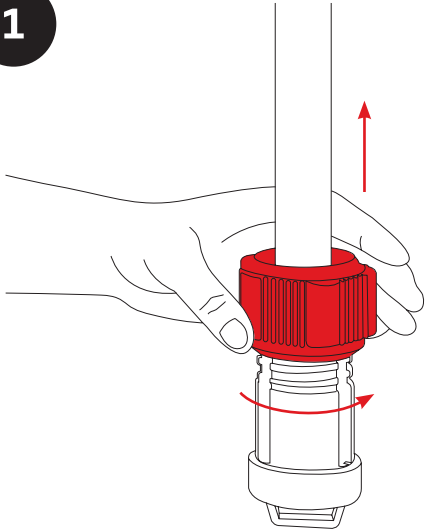
CARRYING CASE



CARRYING CASE

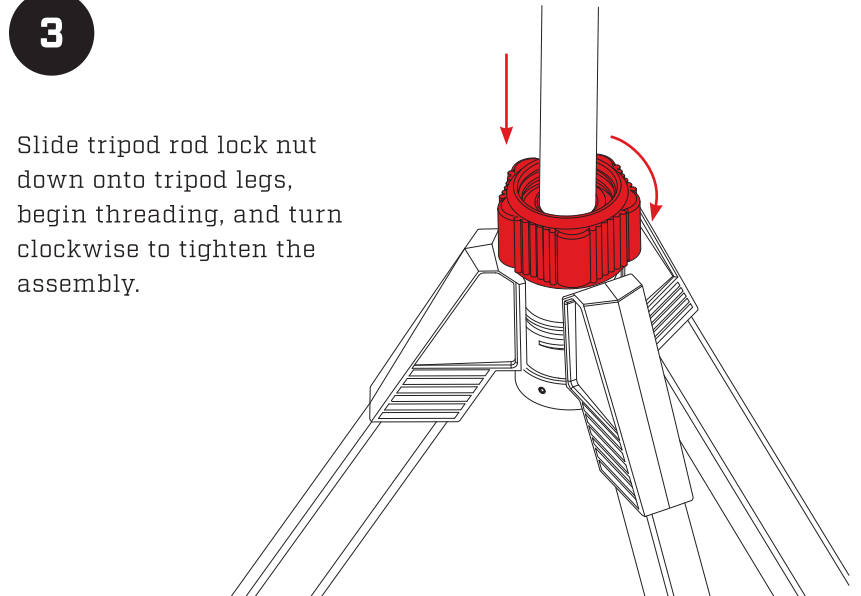
ASSEMBLE TRIPOD

1



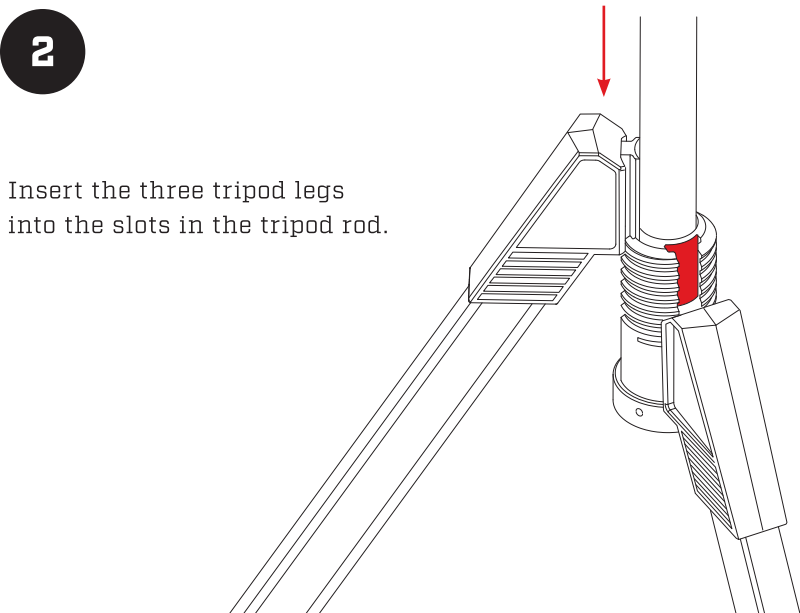
Loosen tripod rod lock nut by turning nut counterclockwise. Pull up and away from end of rod.

3



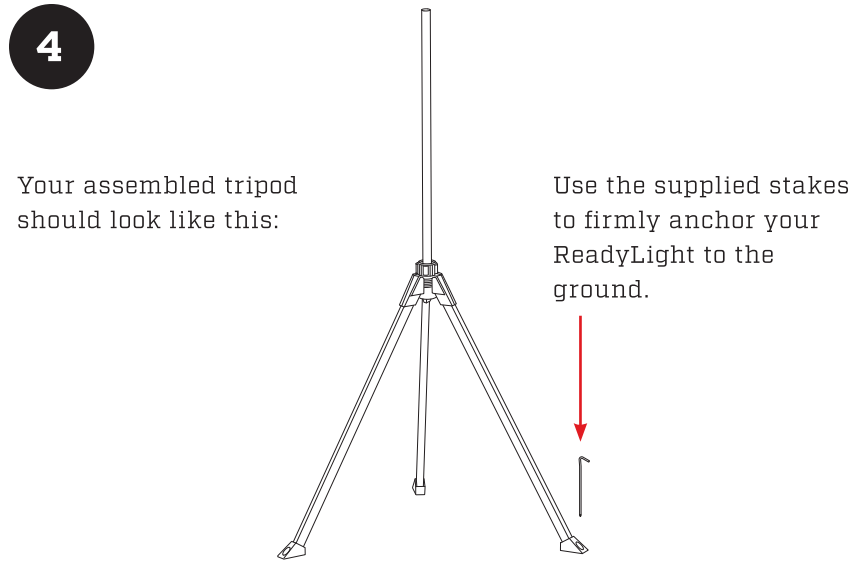
Slide tripod rod lock nut down onto tripod legs, begin threading, and turn clockwise to tighten the assembly.

2



Insert the three tripod legs into the slots in the tripod rod.

4



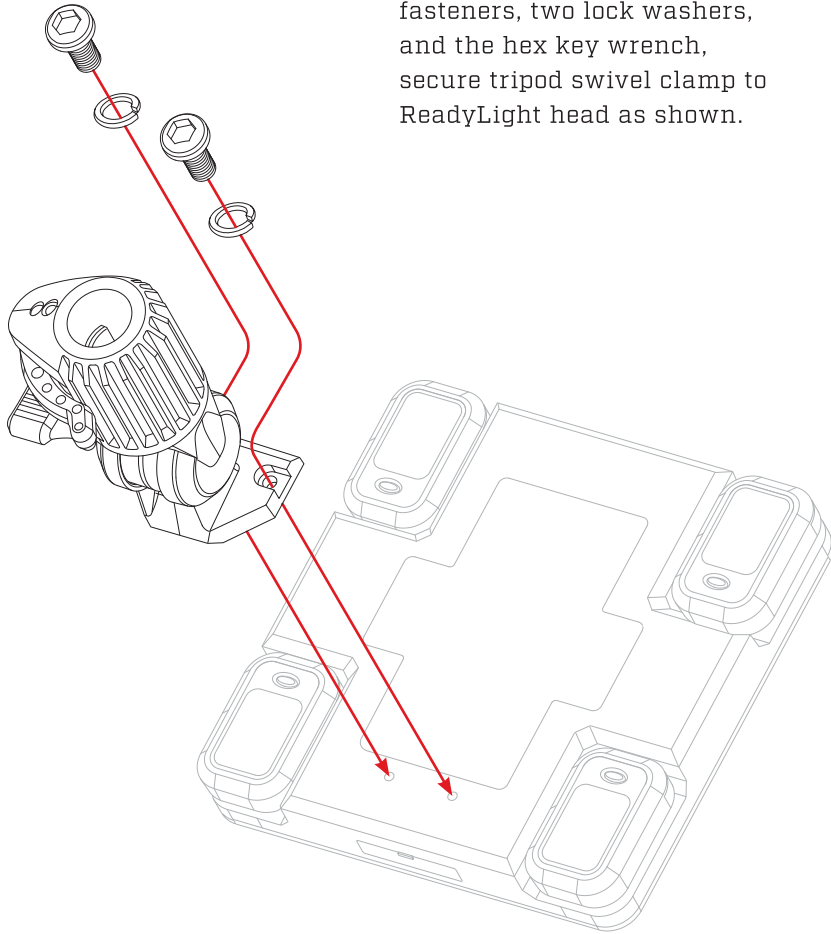
Your assembled tripod should look like this:

Use the supplied stakes to firmly anchor your ReadyLight to the ground.

ASSEMBLE HEAD

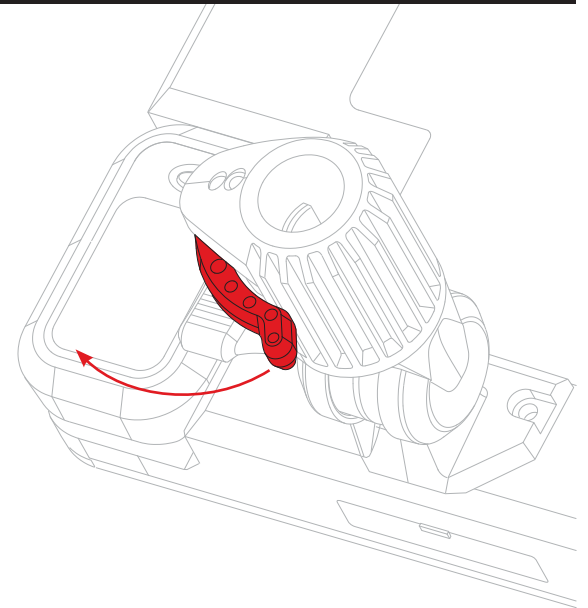
5

Using two of the supplied fasteners, two lock washers, and the hex key wrench, secure tripod swivel clamp to ReadyLight head as shown.



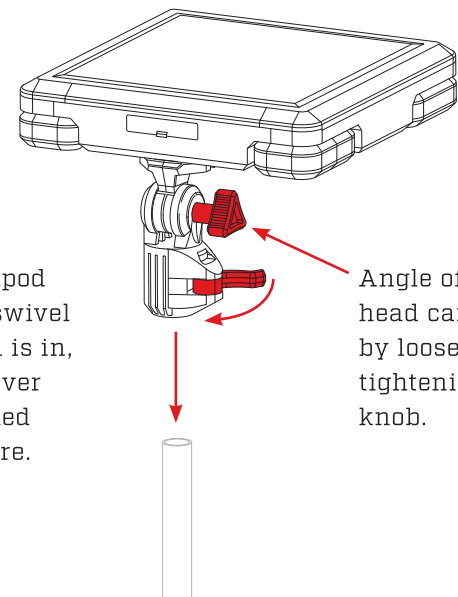
6

Release locking lever on swivel clamp...



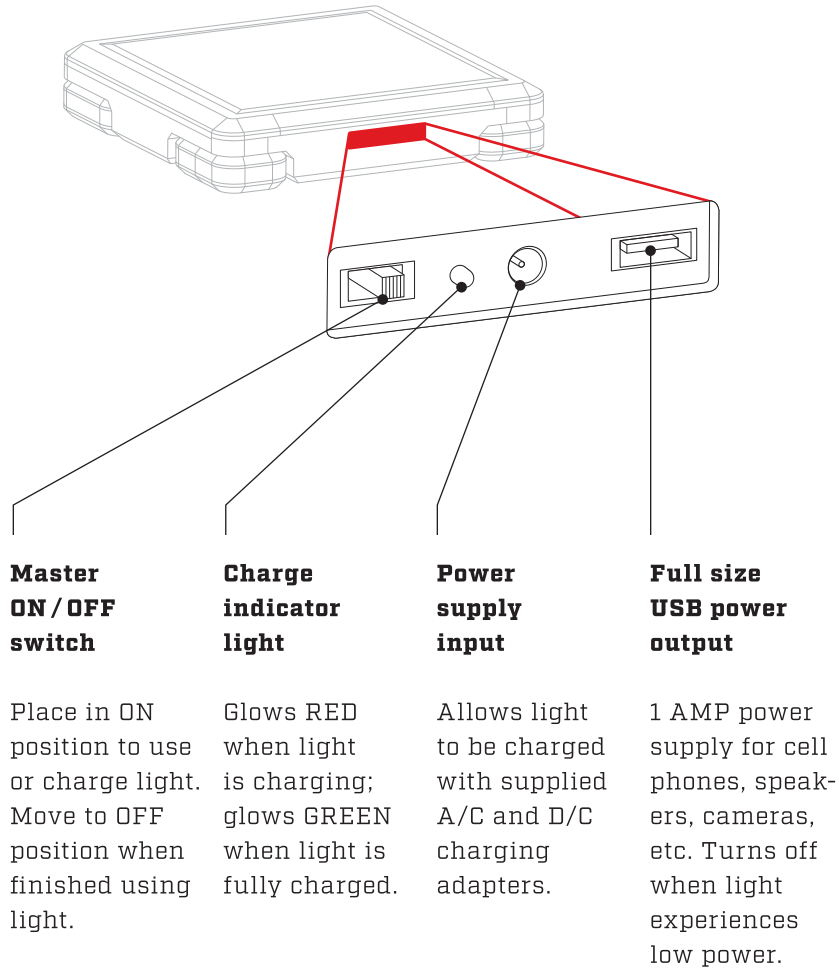
7

Insert end of tripod rod into tripod swivel clamp. Once rod is in, move locking lever back to the locked position to secure.

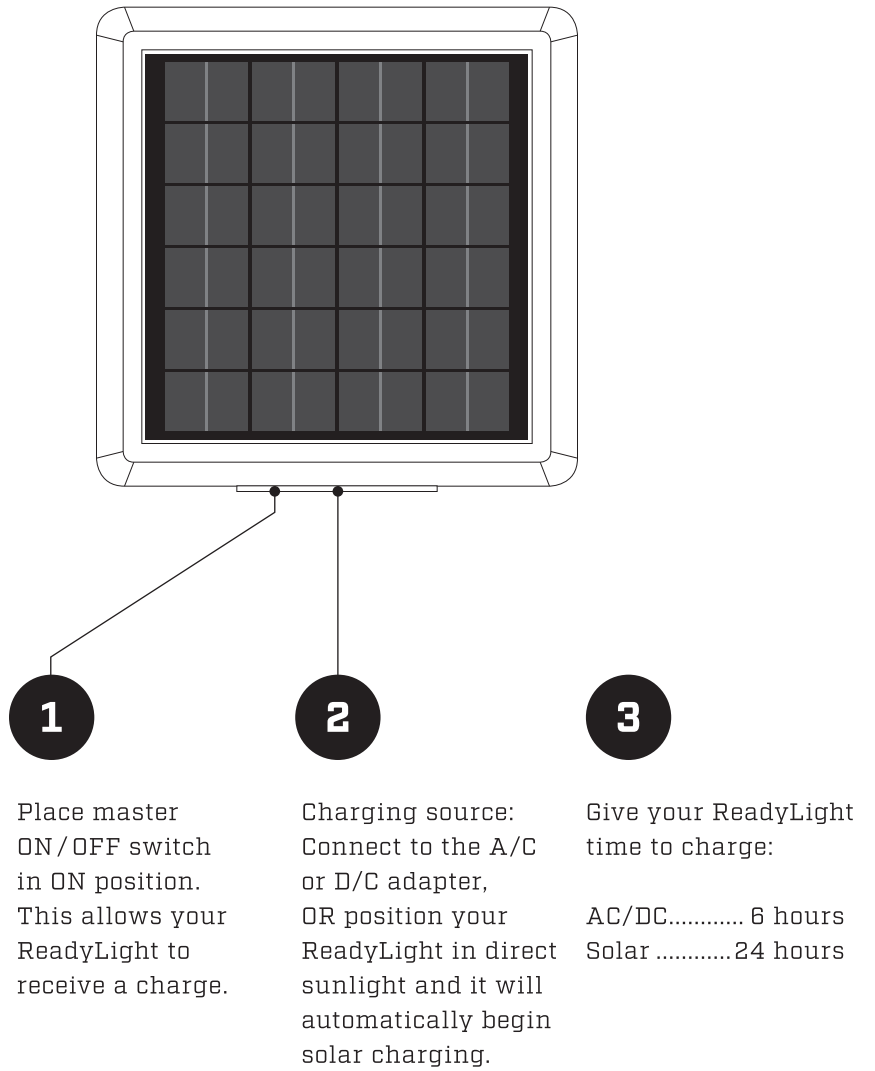


Angle of ReadyLight head can be adjusted by loosening and tightening triangular knob.

MAIN PANEL



CHARGING



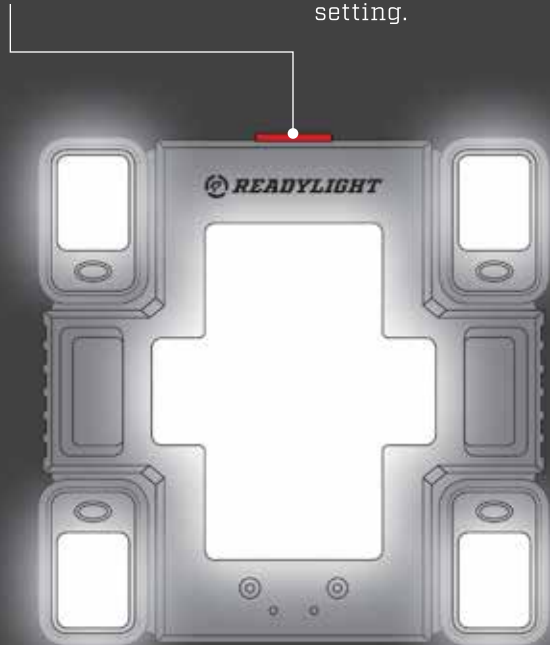
MAIN LIGHT OPERATION

1

Turn on light:

Press and hold ON/OFF button for 1-2 seconds...

...lights will first activate at their brightest (5 WATT) setting.



2

Momentarily depress

ON/OFF button a second time:

Lights will dim to their low (2.5 WATT) setting.



3

Momentarily depress

ON/OFF button a third time:

Main lights will deactivate and red warning lights will turn on and blink slowly.

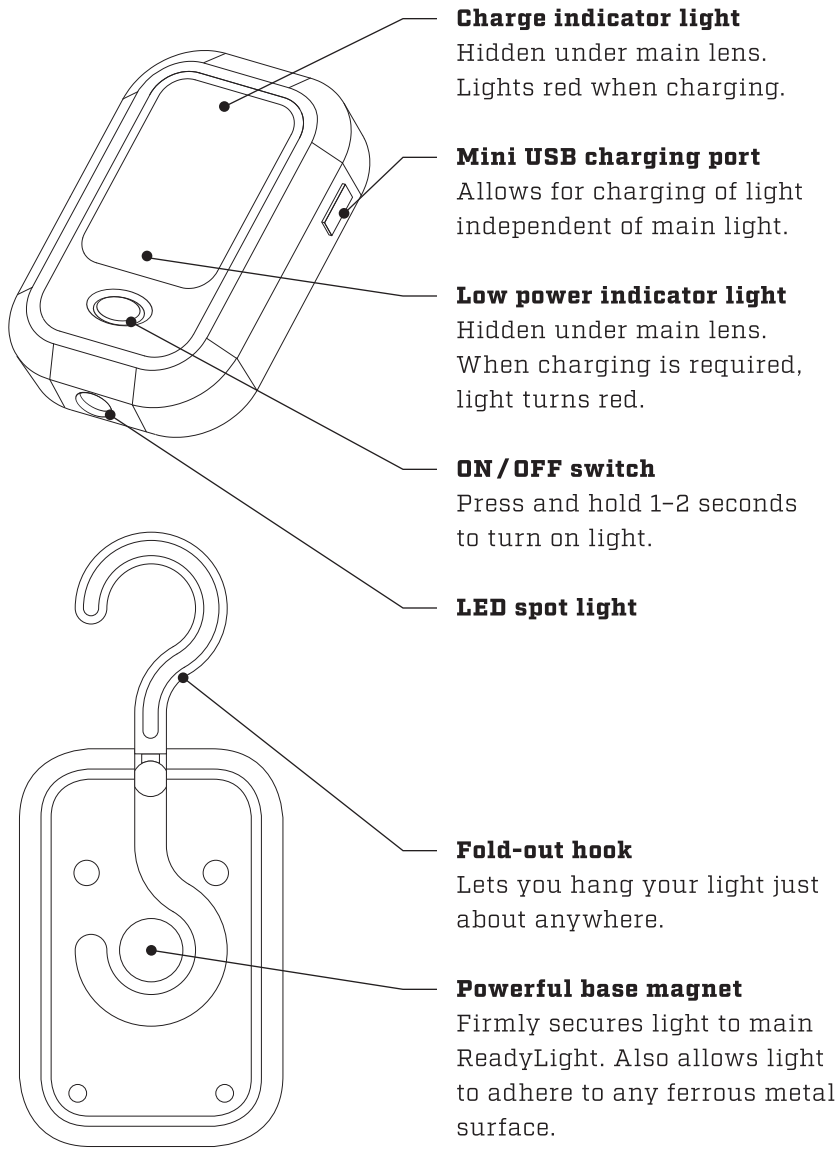


To repeat the cycle of light functions, continue to depress the ON/OFF button.

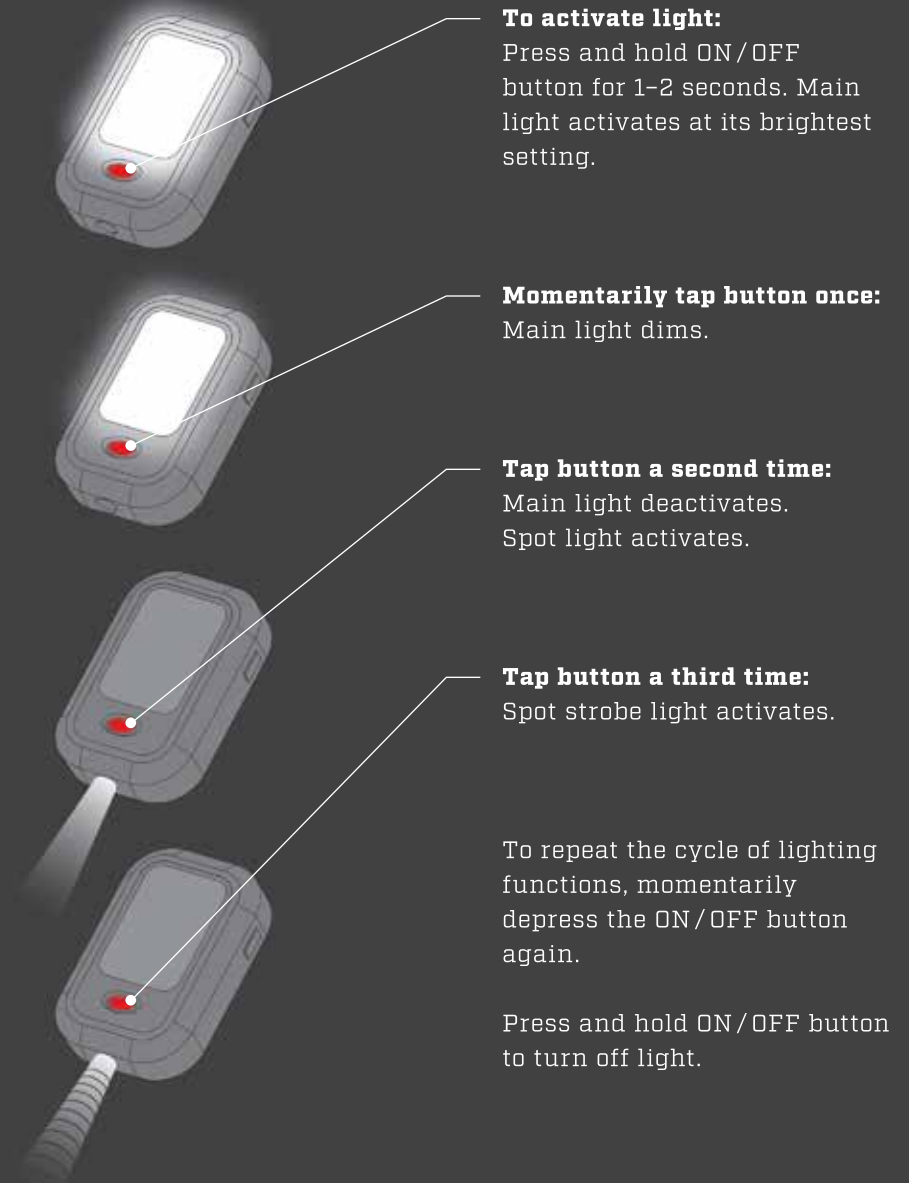
Press and hold ON/OFF button to turn off light.

Red indicator lights will flash quickly when batteries are low on power.

PORTABLE LIGHTS



PORTABLE OPERATION



SPECIFICATIONS

MAIN LIGHT

BATTERY TYPE.....	Lithium-Ion
BATTERY CAPACITY.....	7.4V 7800mAH
DC POWER.....	12V CLA charger
AC/DC CHARGE TIME	6 hours
SOLAR CHARGE TIME.....	up to 24 hours
RUN TIME	15 hours / 30 hours
MAXIMUM POWER	15W
BRIGHTNESS SETTINGS	5W / 2.5W
LUMENS.....	350lm / 175lm
CHARGING TEMPERATURE, CELSIUS.....	0°–50°
DISCHARGE TEMPERATURE, CELSIUS.....	-20°–50°
EXTERNAL USB POWER SUPPLY.....	5V 1A

PORTABLE LIGHTS

BATTERY TYPE.....	Lithium-Ion
BATTERY CAPACITY.....	3.7V 1200mAH
WATTAGE, SINGLE UNIT	1W
WATTAGE, ALL 4 UNITS.....	4W
LUMENS, SINGLE UNIT	50lm
LUMENS, ALL 4 UNITS.....	200lm
RUN TIME, SINGLE UNIT.....	5 hours
CHARGE TIME	5 hours
WORKING TEMPERATURE, CELSIUS	-20°–50°

TOTAL LIGHT SPECIFICATIONS

LUMENS.....	500lm
RENDERING INDEX.....	Ra80
CCT	6500K
SERVICE LIFE.....	20,000 hours
WORKING HUMIDITY	≤ 95%
SHELL MATERIAL	Flame-retardant ABS
INGRESS PROTECTION	IP63